

SPECIFICATIONS

Camera Head SK-UHD4000 / SK-UHD4000E

Lens mount	B4 Bayonet
Imaging device	4 x 2/3-inch CMOS Image sensor Total pixels 2,270 (H) x 1,144(V) 2.6 million pixels
TV system	SK-UHD4000 : 3,840 (H) x 2,160 (V) /59.94Hz SK-UHD4000E: 3,840 (H) x 2,160 (V) /50Hz
Optical system	F1.7 prism
Optical filters	2x motorized filter wheel ND (CAP, CLEAR, 1/4ND, 1/16 ND, 1/64 ND) CC(CROSS, 3200K, 4300K, 6300K, 8000K)
ECC	5600K
Sensitivity	59.94p :F8 @ 2000 lx, 3200 K, 89.9% reflectance 50p :F9 @ 2000 lx, 3200 K, 89.9% reflectance
Signal to Noise ratio	62dB at 1080i
Resolution	Min 1800TVL (4K output from CU-UHD4000) Down-Convert mode Horizontal Min 1100TVL, Vertical Min 1000TVL (At center with lens iris F2.8 to F4, depending on lens)
Vertical smear	No smear
Registration	0.01 % (excluding lens characteristics)
Gain selection	L (low) -3/0dB M (medium) 0/+3/+6/+9/+12/+15/+18/+21 dB H (high) +3/+6/+9/+12/+15/+18/+21/+24 dB
Electric shutter	Preset mode 1/100, 1/125, 1/250, 1/500, 1/1000, 1/2000 second (59.94Hz) 1/60, 1/125, 1/250, 1/500, 1/1000, 1/2000 second (50Hz) Lock scan mode 1/60.15 to 1/2043 second (59.94Hz) 1/50.17 to 1/1939 second (50Hz) AES mode Automatic video level control by shutter speed.
Power consumption	38W Head with Camera Adaptor (without VF)
Dimensions	133(W) x 191(H) x 262(D) mm
Mass	approx. 4.7kg (7.8lbs), with Camera Adaptor (without VF)
Temperature range	Operation -10 °C to +45 °C , 14 °F to +113 °F Storage -20 °C to +60 °C , -4 °F to +140 °F
Input & Output	MON/VF/RET OUT: 1x BNC HD-SDI(1080i) REMOTE:1x 4-pin Multi for remote control panel VF: 1x 20-pin Multi for VF LENS: 1x 12-pin Multi for LENS MIC: 1x 3-pin XLR for MIC-1 SD Memory Card Slot

Remote Control Unit RU-1500JY

Dimensions	102 (W) x 370 (D) x 56.2 (H) mm
Mass	1.3kg
Power input	+12VDC
Operational temperature	0°C to 40°C, 32°F to 104°F
Interface	RJ-45 connector, 4-pin connector

Setup Unit SU-1000

Input signal	VE (Video Engineer) Switch input : Contact closure
Dimensions	385 (W) x 255 (D) x 65 (H) mm
Power input	100/117/220/240VAC, 50/60Hz, auto-sensing
Mass	4.1kg, 9lbs
Operational temperature	0°C to 40°C, 32°F to 104°F
Power consumption	Approx. 33VA
Interface	RJ-45 connector, 4-pin connector

2-inch Viewfinder VF-402-S3

TV system	1080i 59.94/50Hz auto-switching
Construction	2-inch BW 16:9 CRT with removable Diopter (CRT Focus Ring) VF angle rotation X-Y mechanical movement
Resolution	650 TV lines
Functions	BRIGHT, CONTRAST, PEAKING knob VR (front facing)
Internal tally	Red/Green
Front tally controls	Tally OFF, NORMAL, HIGH Front-facing high brightness LEDs
Mass	0.76kg, 1.7lbs

Fiber Camera Adaptor CA-UHF4000

Fiber Connector	SMPTE304M-SMPTE311M-type FOC Cn (LEMO/Tajimi)
Video output	1x BNC HD-SDI1 OUT 3G SDI or HD SDI 3G-SDI: SMPTE 424/ 425 Level A HD-SDI: SMPTE 292M
Return output	1x BNC HD-SDI2 OUT HD-SDI (SMPTE292M) (*1) HD Down-converter Output in standalone operation
Prompter output	VS or VBS (*2) Genlock Input in standalone operation
Genlock input	Black-burst or tri-level sync (*3) Prompter Output in CCU system operation
Intercom	2x 5-pin XLR (Female) Input rating: -60dBm, Output rating: 0dBu ENG/PD channel selection SW, MIC on/off SW, Intercom level control
Program audio	2-channels, PGM audio level controls w/Chnl1 & Chnl2 intercom
Microphones	Chnl1 & 2 Line or Mic level select (MENU) with phantom power on/off Mic Input rating: -60dBm
Return / AUX switcher	2-channel, 4-input remote AUX/VF video select
Teleprompter power output	1x 5-pin, 230VAC/60W to 100W, external prompter Tally drive out
Other I/O	SCRIPT: 1x 5-pin Multi for script lamp +12VDC (1.0A max) RET CONT: 1x 6pin Multi for VF AUX return (for use in cranes or extened Head/VF configuration) DC IN: 1x 4-pin XLR for 12VDC power input (10.5VDC to 17.0VDC in standalone operation) TRUNK: 1x 8pin Multi, RS-422/150k baud (RS-232C optional)
Dimensions	133(W) x 191(H) x 195(D) mm
Mass	2.5kg (5.5lbs)
Temperature range	Operation -10 °C to +45 °C , 14 °F to +113 °F Storage -20 °C to +60 °C , -4 °F to +140 °F

9-inch Viewfinder VF-L90HD

TV system	59.94/50Hz, 1080i/720p auto-switching
Construction	Metal Die-cast chassis & mount 9-inch, color TFT-LCD, 1280 (H) x 768 (V)
Number of pixels	1280 (H) x 768 (V) normal scan (16:9)
Color temperature	6500K
Input signals	Analog Y/Pb/Pr/SYNC
Functions	BRIGHT, CONTRAST, PEAKING knob VR Power on/off, Tally on/off, Marker on/off
Internal tally	Red/Green
Front tally controls	Tally OFF, NORMAL, HIGH
Dimensions	230(W) x 185(H) x 86(D) mm
Mass	1.6kg, 3.5lbs
Attachment (Option)	AT-951(mass : 1.6kg, 3.5lbs AT-90 (mass : 0.7kg, 1.54lbs)

7.4-inch Viewfinder HDF-EL800H

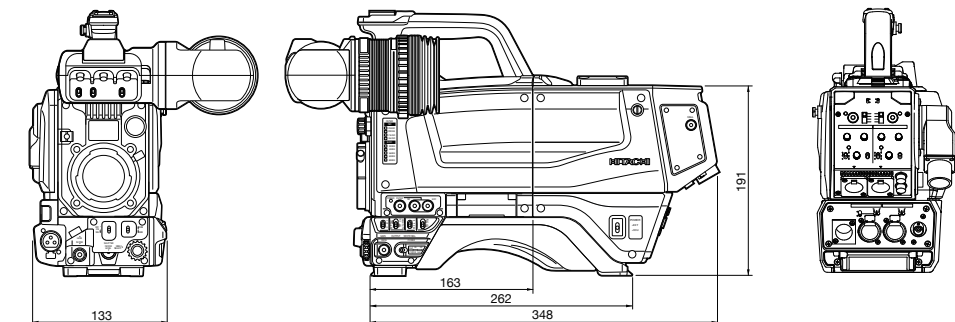
TV system	59.94/50Hz, 1080p/1080i/720p auto-switching
Construction	7.4-inch Color OLED
Number of pixels	960 (H) x 540 (V), 16:9
Input signals	VF video Analog component Ys:1.0Vp-p, Pb/Pr: 0.7Vp-p (75Ω) VF power +12VDC (10.5 to 17VDC) VF Tally R/G Tally
SDI	1x BNC 3G/HD/SD
HDMI	1x HDMI
Functions	BRIGHT, CONTRAST, PEAKING knob VR (front facing) ZEBRA, MARKER, UTIL (Waveform/Vector/Audio indicator)
Internal tally	Red/Green
Front tally controls	Tally OFF, NORMAL, HIGH
Dimensions	215 x 158 x 51.5mm (main body)
Mass	1.25kg, 2.8lb
Attachment (Option)	AT-951(mass : 1.6kg, 3.5lbs AT-90 (mass : 0.7kg, 1.54lbs)

Camera Control Unit CU-UHD4000(59.94Hz) / CU-UHD4000E(50Hz)

Output signals	4x BNC 3G-SDI x1 sets, 12G SDI Single Link X2 sets (Option) Square Division or 2 Sample Interleave division 2 channels embedded audio available 3G-SDI: SMPTE 424/425 Level-A/B
4K OUTPUT 1/2	4x BNC 3G-SDI or HD-SDI or SD-SDI · Down-converted (1080p/1080i/720p/SD) · HD Cut-out (1080p/1080i) · 2 channels embedded audio available · 3G-SDI: SMPTE424/425 Level-A · HD-SDI: SMPTE292M · SD-SDI: SMPTE259M-C
HD/SD 1/2	2x BNC 3G-SDI or HD-SDI or SD-SDI · Down-converted (1080p/1080i/720p/SD) · 2 channels embedded audio available · 3G-SDI: SMPTE424/425 Level-A · HD-SDI: SMPTE292M · SD-SDI: SMPTE259M-C
HD/SD 3 (WFM/PIX)	2x BNC 3G-SDI or HD-SDI or SD-SDI · Down-converted (1080p/1080i/720p/SD) · 2 channels embedded audio available · 3G-SDI: SMPTE424/425 Level-A · HD-SDI: SMPTE292M · SD-SDI: SMPTE259M-C
MIC OUT 1/2	0dBm/600Ω
Input signals	4x BNC 3G-SDI or HD-SDI (1080p/1080i/720p) · 3G-SDI: SMPTE424/425 Level-A · HD-SDI: SMPTE292M
DIGITAL RET IN A	2x BNC 3G-SDI or HD-SDI (1080p/1080i/720p) · 3G-SDI: SMPTE424/425 Level-A · HD-SDI: SMPTE292M
DIGITAL RET IN B	2x BNC (Loop through) Black burst signal: 0.45Vp-p/75Ω HDTV Tri-level sync: 0.60Vp-p/75Ω
GENLOCK IN	1X BNC VS or VBS 1.0Vp-p/75Ω(Loop through)
PROMPT IN	

INTERCOM (Headset)	1x 5-pin XLR, 0dBu MAX+15dB
REMOTE 1/2	2x 4-pin Multi, 1.5Vp-p
REMOTE 3	LAN
COMMUNICATION	1x 25-pin D-sub (Male)
Intercom (PD/ENG)	0dBm/600Ω(4Wire) 0dBu or -15dBu/200Ω(2Wire) Clear-Com, RTS complied
PGM	0dBm/600Ω
TALLY in (R/G)	Contact/Voltage supply selectable
TALLY OUT (R/G)	Contact supply or Voltage supply (DC24V, 10mA)
WFM CONTROL	1x 15-pin D-sub (Female), WFM 0-7 0/5V
MIC REMOTE	1x 15-pin D-sub (Female), MIC1/2 Gain control
TRUNK	1x 9-pin D-sub (Male), RS-422 / 150k baud (RS-232C optional)
Power supply voltage	(J) AC100V 50Hz/60Hz (CU-UHD4000J) (U) AC117V 60Hz (CU-UHD4000U) (E) AC230V 50Hz (CU-UHD4000E)
Power consumption	Approx. 300W (in AC power operation) Combined with SK-UHD4000, VF-402-S3, CA-UHF4000, and AUX POWER OUT (100VA)
Temperature range	Operating: 0°C ~ +40°C, 32 °F to +113 °F Storage: -20°C ~ +60°C, -4 °F to +140 °F
Mass	10kg (22lbs)
Maximum fiber cable length	1,000 m (with utility power) 4,000m (without utility power)

DIMENSIONS (SK-UHD4000 / CA-UHF4000)



DIMENSIONS (SA-1000)

