

High Definition telephoto lenses – HA42x9.7BERD and HA42x13.5BERD



The HA42x9.7 and HA42x13.5 lenses are the perfect choice for any application requiring long focal length, low weight and high portability.

The weight of these lenses ranges from about 5.3 to 5.4 kg. Nonetheless, they offer the highest magnification and focal length available in the ENG market. Even without the extender, the focal length of the HA42x9.7 reaches 410 mm. To double this length to 820 mm, the extender simply needs to be engaged. With the HA42x13.5 the available focal length is increased to

570 mm, and with the extender to 1,140 mm. With a length of 338.5 mm, the HA42x9.7 is 10 mm shorter than its predecessor, the HA36x10.5 lens.

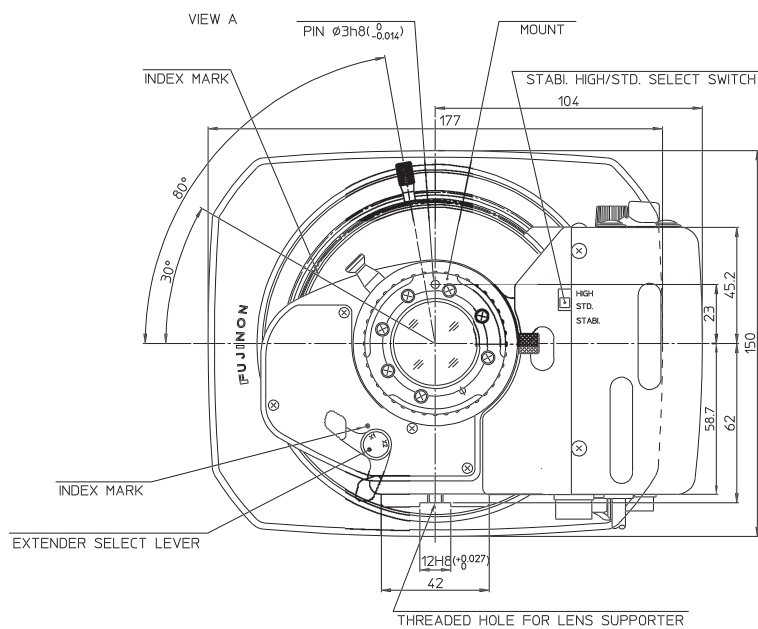
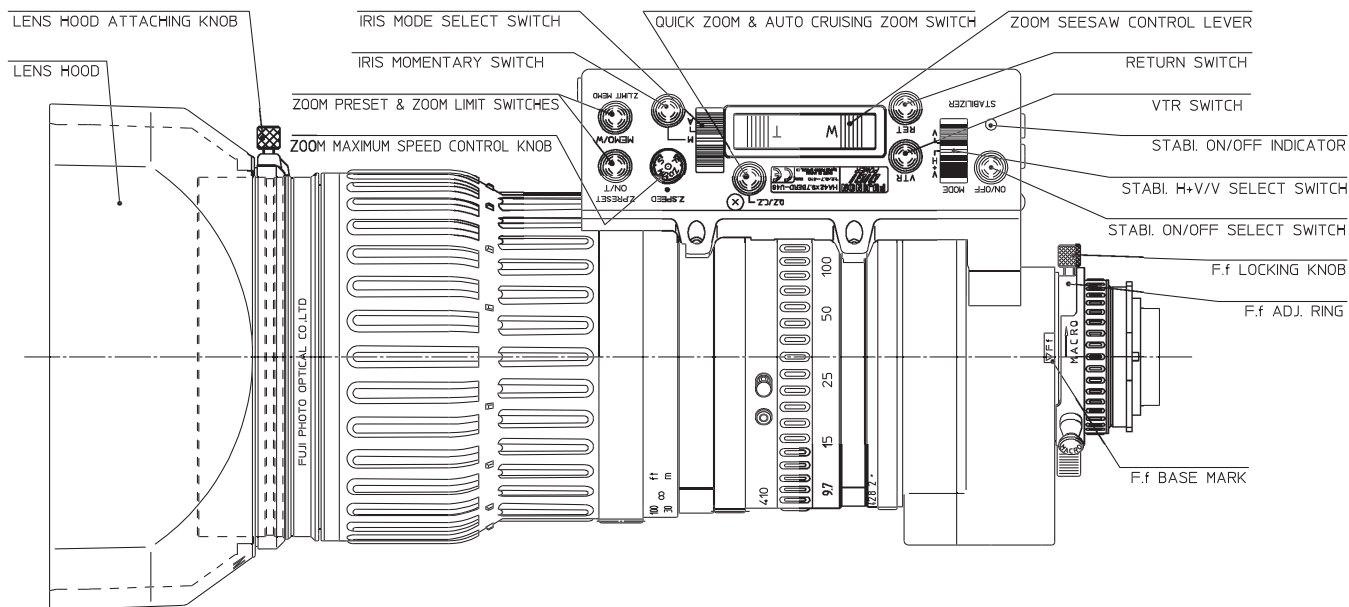
Unprecedented ramping characteristics, the exclusive GO-Technology, Internal Focusing and, of course, the DIGI POWER features like ZoomLimiter, QuickZoom, One-Shot-Preset and Auto-Cruising Zoom, round off the performance of the HA42 lenses.

The HA42x lenses are available in four different models – for every application you have the choice:

- ▶ HA42x9.7BERD-S48 standard version w/o OS-TECH
- ▶ HA42x13.5BERD-U48 with built-in OS-TECH
- ▶ HA42x9.7BERD-G48 with built-in OS-TECH and remote extender change unit
- ▶ HA42x13.5BERD-F48 w/o OS-TECH with remote extender change unit

Fujinon. To see more is to know more.

Specifications/Lens		HA42x9.7BERD	HA42x13.5BERD
Zoom ratio		42x	42x
Extender		2x	2x
Focal length w/o extender		9.7 – 410 mm	13.5 – 570 mm
Focal length w/ extender		19.4 – 820 mm	27 – 1,140 mm
Maximum relative aperture		F2 (9.7 – 225 mm) F3.7 (410 mm)	F2.8 (13.5 – 307 mm) F5.2 (570 mm)
Angular field of view 16:9 Aspect ratio (9.6 x 5.4 mm)	w/o extender	9.7 mm: 52°37' x 31°03' 410 mm: 1°20' x 0°45'	13.5 mm: 39°07' x 22°35' 570 mm: 0°58' x 0°33'
	w/ extender	19.4 mm: 27°46' x 15°49' 820 mm: 0°40' x 0°23'	27 mm: 20°08' x 11°24' 1,140 mm: 0°29' x 0°16'
Minimum Object Distance M.O.D.		2.8 m	2.8 m
Object dimensions at M.O.D. 16:9 Aspect ratio (9.6 x 5.4 mm)	w/o extender	9.7 mm: 2,619 x 1,472 mm 410 mm: 64 x 36 mm	13.5 mm: 1,888 x 1,061 mm 570 mm: 45 x 25 mm
	w/ extender	19.4 mm: 1,339 x 753 mm 820 mm: 33 x 19 mm	27 mm: 944 x 530 mm 1,140 mm: 22 x 13 mm
Length		130 x 338.5 mm	130 x 358.5 mm
Macro		Standard	Standard
Filter thread		M127 x 0.75	M127 x 0.75
Weight (without lens hood)		5.3 kg	5.4 kg
Operating system		RD	RD



Accessories HA42x

- ▶ Filters
- ▶ EFL-127 UV UV
- ▶ EFL-127 SL Skylight
- ▶ EFL-127 N2 Neutral density 2
- ▶ EFL-127 N4 Neutral density 4
- ▶ EFL-127 N8 Neutral density 8
- ▶ EFL-127 CS Cross screen
- ▶ EFL-127 SN Snow cross
- ▶ EFL-127 SU Sunny cross
- ▶ EFL-127 SF Soft focus
- ▶ EFL-127 PL Polarising

FUJIFILM

FUJIFILM Europe GmbH

Optical Device Business Domain
 Heesenstr. 31, 40549 Düsseldorf, Germany
 Tel.: +49 211-50 89 0, Fax: +49 211-50 89 344
 www.fujinon.eu

Specifications are subject to change without notice. 09/11